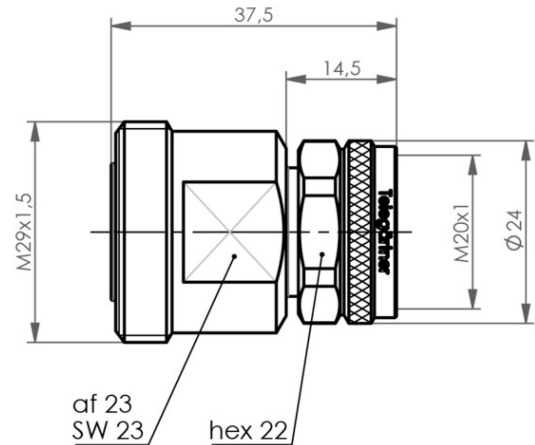


order number: J01122C0014

Adapter 7-16 - 4.3-10, f-m, Screw



Technical Attributes	
Remarks	f-m
Type	screw
Return Loss	typ.: 3 GHz-40 dB; 6 GHz-35 dB